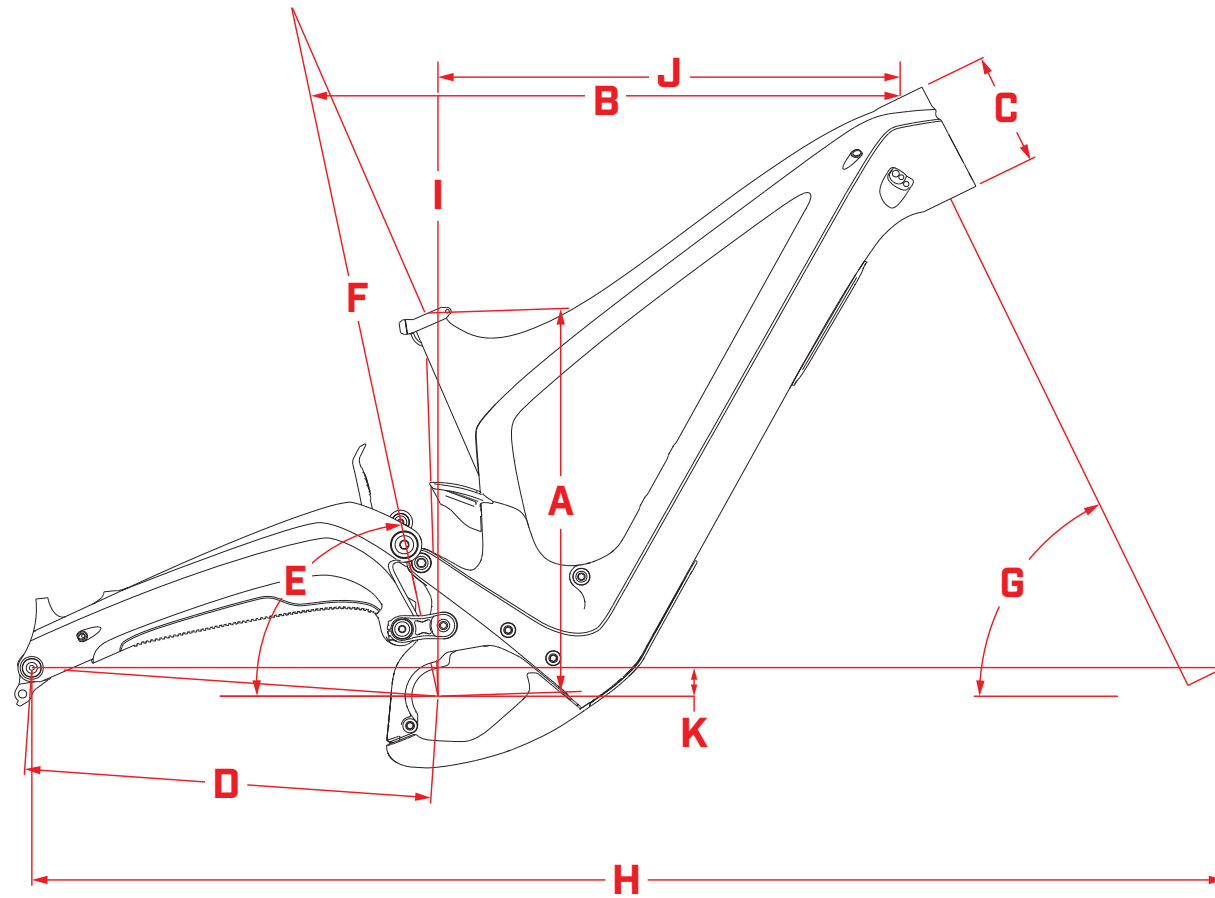


GEOMETRY



170mm FORK (583.7mm Axle to Crown)

SIZE		SMALL	MEDIUM	LARGE	X-LARGE
SEAT TUBE IN.	A	15.5"	16.3"	16.3"	16.8"
EFFECTIVE TOP TUBE MM	B	573	607	638	669
HEAD TUBE MM	C	90	106	122	139
CHAINSTAY MM	D	439	439	444	444
SEAT TUBE ANGLE	E	77°	77°	78°	79°
SADDLE HEIGHT FOR SEAT TUBE ANGLE MM	F	655	705	765	820
HEAD TUBE ANGLE	G	64°	64°	64°	64°
WHEELBASE MM	H	1206	1242	1294	1341
STACK MM	I	621	635	650	665
REACH MM	J	430	460	500	540
BB DROP MM	K	F: 31/R: 14	F: 31/R: 14	31	28
BB HEIGHT (mm)		341	341	340	340
STANDOVER MM		677	714	729	731